



Schedule Analyzer

by Ron Winter Consulting LLC

January 6, 2015

Schedule Analyzer

- P6 version released in 2003
- Over 150 updates since then
- Over 1,000 licenses sold
- Works with Oracle/Primavera P6 & EPPM
- Looks at every feature in P6
- The only direct-to-database analysis
- The only one that is interactive with P6



Schedule Analyzer

- Connects directly to P6 database
- View who & when last modified schedule
- Can directly view & analyze Baselines
- Limit view by OBS for faster loading time
- Select one or many schedules at a time
- Can analyze all or selected categories
- Summary overview can be added to report



Baseline Checker

- Reviews a single schedule or program
- Uses advanced analyses techniques
- Performs over 200 different checks
- Organizes findings into issue reports
- Gives Expert Advice about your schedule
- Flags Cautions, Warnings, and Errors



Baseline Checker Looks For

- Rules settings
- Calendar settings
 - Compares and can print-out calendar summaries
- Activity & Steps checks
- Activity Code & WBS checks
- Relationship checks
- Resource checks
- Cost checks
- Constraint checks



What Types of Checks?

- Other high-level checks
 - Notebooks, Attached Docs, Project Issues, Risks
- User-modifiable topic checks
- Questionable scheduling practices
- Unwise relationships/combinations
- Unbalanced schedules
- Construction legal issues
- Expert 'rules of thumb'



An Simple 'Rule-of-Thumb' Report

EXPANDED ACTIVITY CODE FIELD LAYOUT (# Activities):

Responsibility

- (47) Byco Pacific
- (30) Dinkurs Steel
- (7) Engineering Plastics
- (46) First Welding Plus
- (278) GENERAL CONTRACTOR
- (102) Gilbert Construction
- (15) Hot Centerline
- (23) Jones Painting
- (12) Mentak Roofing
- (0) Phillis Fencing
- (17) PJS Masonry
- (74) Richards Electric

Area

- (102) GENERAL
- (129) Reeds Station
- (136) Cross Station
- (160) Historic Dewnar Station
- (111) Lone Point Station
- (29) Regars Field/ Tomcat Stations

Phase

- (10) Main Corridor
- (9) Milestones
- (240) Park and Ride
- (325) Station Shelter & Platforms
- (83) Submittals

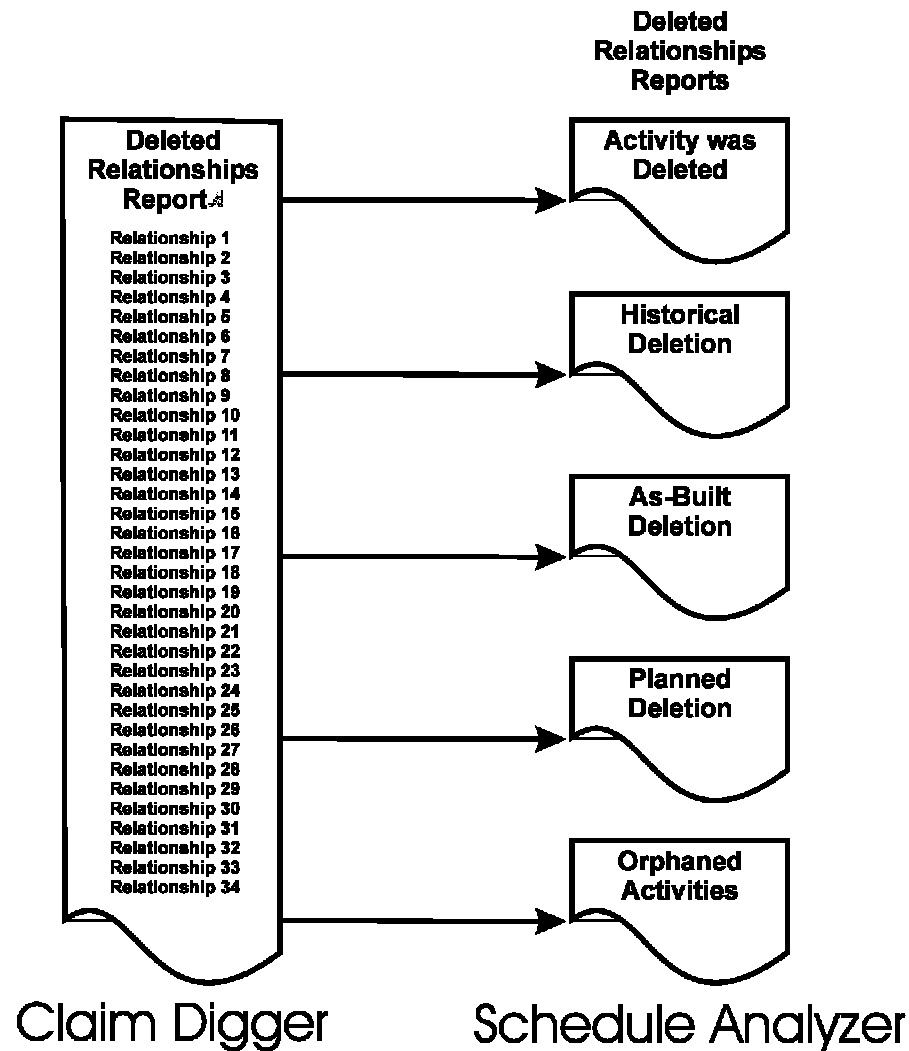


Update Checker

- Reviews the differences between two schedules or program updates
- Makes over 200 different checks
- Organizes findings into issue reports
- Explains why issue may be important
- Includes Cautions, Warnings, and Errors
- Reduces review time by 90%



Different from Claim Digger



Deleted Relationship Reports

- Deleted because the activity was deleted
 - Ignore: concentrate on why activity was deleted
- Deleted relationships to inactive activities
 - Deleting As-Built information: not allowed
- Deleted relationships to on-going activities
 - As-built work change: to be field-verified
- Deleted relationships to planned activities
 - Work plan change: this should be in Narrative
- Newly 'orphaned' activities
 - Float is likely to be incorrect



Different from Claim Digger

- Durations listed in days, not hours
- Update Checker also lists
 - Calendar holiday changes
 - All changes to program rules settings
 - Numerous other 'high-level' topics
 - User Defined Field Changes for
 - Activities, Resources, Steps, WBS
 - Changes to
 - Issues, Risks, Work Products, Documents
 - Project Expenses, Resources, WBS



Different from Others

- SAe is designed to Investigate Issues
- Accuracy
 - P6 Database versus XER files
 - Hour conversions
- Efficiency
- P6 Interactivity
 - Drill-down
 - Task Tags
- Breath of Coverage



Interacts with P6

- Double-click to 'jump' to P6 activity
 - Active Reports example
- Flag any report to P6 activities as UDF
 - Task Tag Example
- Insert Longest Path Values to P6
 - Allows you to organize, print or graph in P6

Interactive Editor

- Save entire report as
 - Text document
 - MS Word Document
 - MS Excel Spreadsheet
- Select/jump to next report with Ctrl-R
- Copy or cut-and paste to Word or Excel
 - Just the Activity ID
 - Formatted Activity ID and title
 - Smart Copy with Word/Excel column tabs columns
- Direct Help Page for every report



Dashboard

- Good for managers and Schedulers
- Analyzes and summarizes Baseline and Update Checker reports
- Summarizes Cautions, Warnings, & Errors
- Evaluates the quality level of each schedule
- Instantly 'drill-down' to problem areas
- **Active Reports** jumps to P6



Calendar

- In addition to Baseline/Update Checker
- Reviews saved calendar summaries
- View any current calendars
- Compare saved calendar summaries
- Compare any current calendars
 - Useful for calendars with different names
 - Useful for project calendars in Baselines



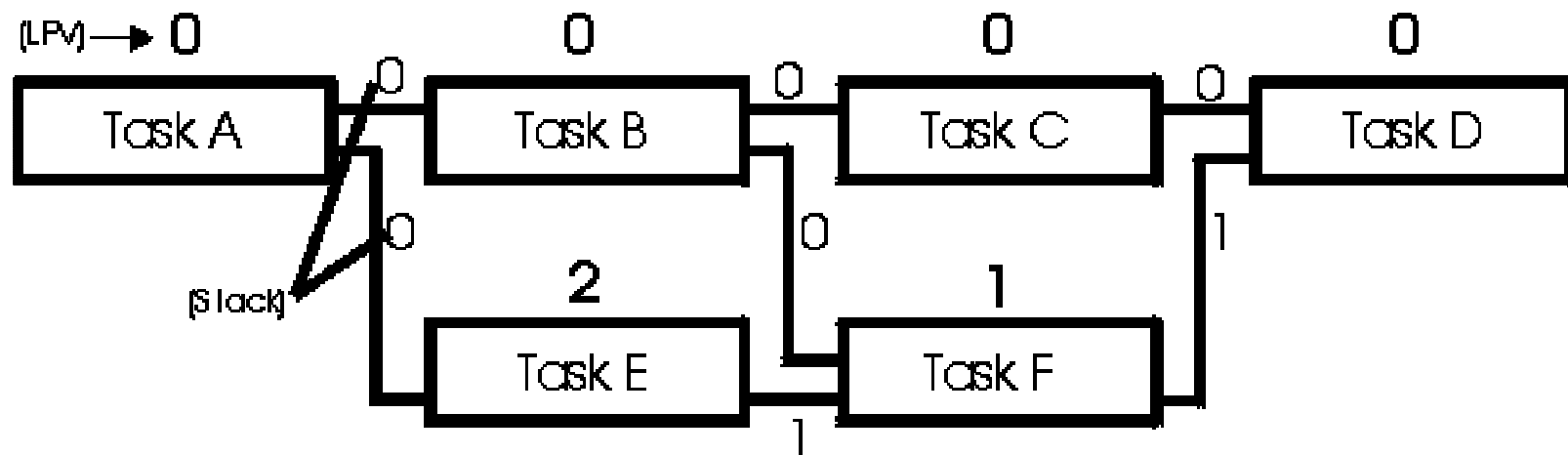
Longest Path Software

- Computes the value of longest path for every activity in your schedule
- Inserts values directly into the P6 schedule
- Better than P6 Multiple Critical Paths
- Organizes schedules for concise display
- Perfect for out-of-sequence progress
- Logical Sequence Number secondary sort

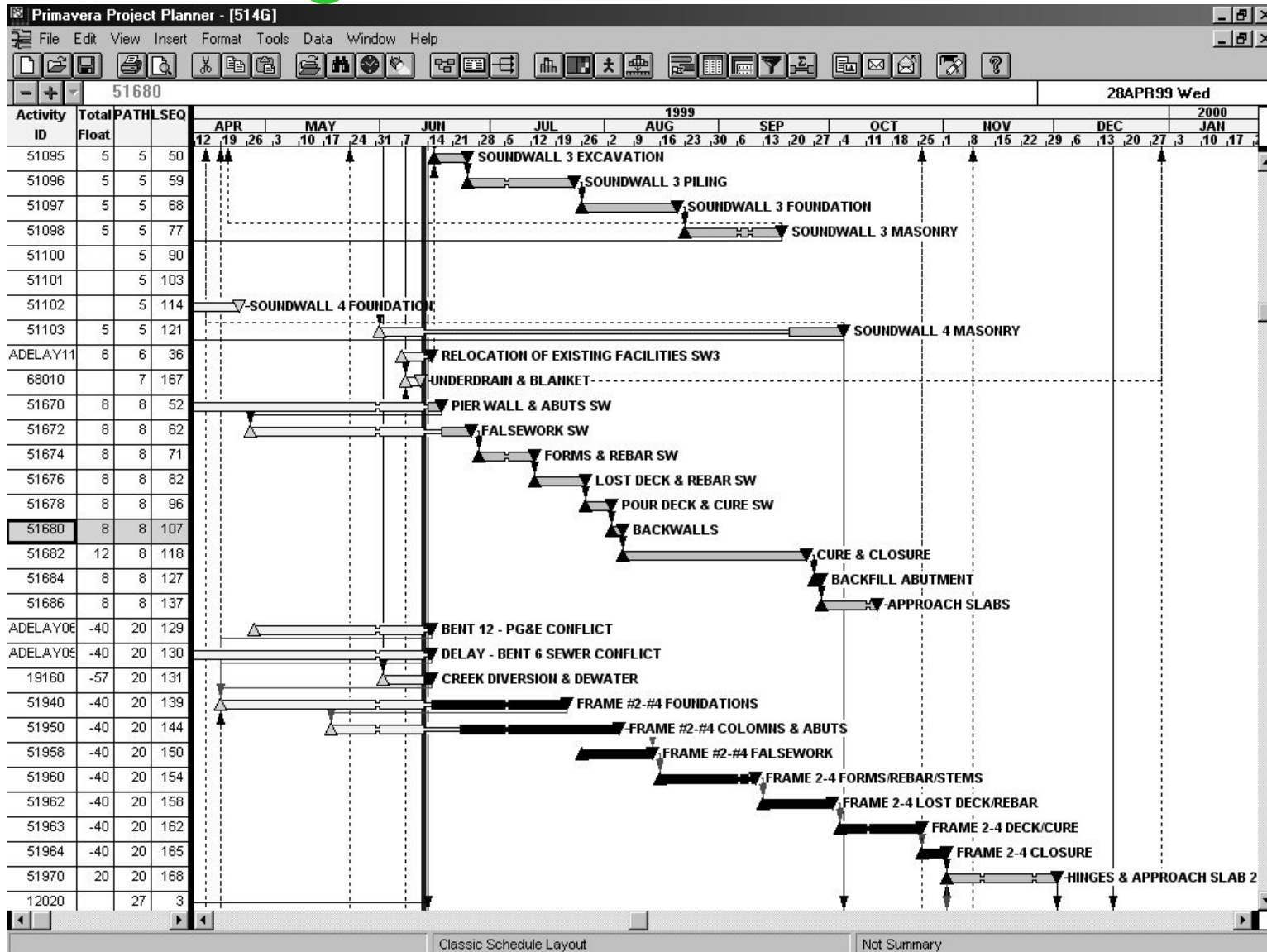


Longest Path Value Calculations

- Concept by Ron Winter Consulting LLC and professionally presented to AACE, PMI CoS, and Primavera Users Conference



Longest Path Software



Schedule Logger

- Reads your Baseline and Update reports
- Review the history of each activity's modifications over the entire project
- Perfect documentation or research tool
- Creates interactive tree log
 - Works with **Active Reports** to connect to P6
- Inserts history summaries into activity memos



Logic League

- Extends P6's relationship functions
- Sort and filter on relationship types
- Add relationship codes
- Set-up phasing scenarios
- Add soft relationships to your schedule



Date Calculator

- Calculate differences between two dates
- Computes Calendar Days & Work Days
- Includes built-in calendar for holidays
- Easy to use



Delete Steps

- Automatically 'strip-out' your Activity Steps when exporting your schedule
- Allows the Contractor to use Steps without having to share the information
- Now your Steps are private!



Schedule Analyzer

- Baseline Checker
- Update Checker
- Dashboard
- Calendar
- Longest Path Software
- Schedule Logger
- Logic League
- Date Calculator
- Delete Steps



Schedule Analyzer Forensic

- Cataloger
- Compare P3 to P6
- Conformer
- Corrupt Files
- Half-Step Maker
- Out-of-Sequence
- Schedule Rebuilder
- Related Schedules
- Trace Logic



Schedule Analyzer

- Contact: Ron@RonWinterConsulting.com
- For more, see us on the web at

<http://ScheduleAnalyzer.com/>

