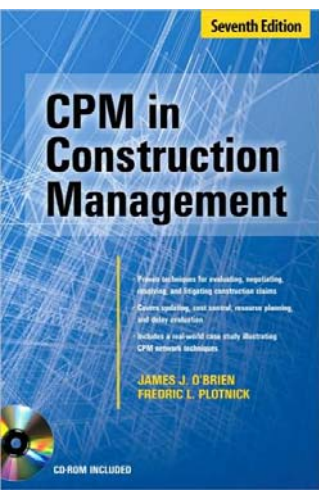


CPM in Construction Management transition from 7th to 8th Edition

James J. O'Brien
Fredric L. Plotnick



8th?

Introduction to CPM is Still Required

Contents

Preface xvii

Acknowledgments xxi

	<u>NEW CH#</u>
Part 1 Introduction to CPM Planning and Scheduling	
<u>Chapter 1.</u> Introduction to CPM Planning and Scheduling 3	1.0
1.1 Scheduling Is for Everyone 3	1.1
1.2 We Teach Carpentry—Not “How to Use Your New Power Saw” 4	1.2
1.3 History of Scheduling Systems 5	1.3
1.4 The Ordered “ <u>ToDo</u> ” List 6	1.4
1.5 Gantt Charts and Bar Charts 6	1.5
1.6 Development of the Critical Path Method of Scheduling 9	1.6
1.7 Development of the PERT Method of Scheduling 11	1.7
1.8 Comparison of CPM and PERT 12	1.8
<u>Chapter 2.</u> Project Control Systems Evolve in Academia 15	move to CD
2.1 1960–1965: Logic Systems Gain Acceptance 15	“
2.2 1966–1970: The Fight between CPM and PERT 17	“
2.3 Development of PDM and Precedence Networks 18	1.9
2.4 Development of SPERT and GERT 19	1.10
2.5 Development of RDM 20	1.11
{add 1.12 Summary to Chapter 1}	1.12
<u>Chapter 3.</u> Project Control Systems Evolve in the Marketplace 25	move to CD
3.1 Commercialization 1965–1970 25	“
3.2 Commercialization 1970–1980 26	“
3.3 Early Legal Recognition 26	move to (old 36) 27
3.4 The Advent of the Personal Computer 1980–1990 27	move to CD
3.5 Maturity of Personal Computers 1990–2000 28	“
3.6 Emergence of Enterprise Systems 2000–2010 28	“
3.7 Projections for Scheduling Software 2010–2015 29	“ ??

Introduction to Logic Network

O L D N u m b e r i n g	Part 2 <u>The Theory of CPM Planning and Scheduling</u>		
	<u>Chapter 4. Your New Tool—Read Before Using</u> 33		move
	4.1 Primavera and Your Power Saw—Useful <u>But</u> Dangerous Tools 34		move
	4.2 How Does Primavera (or Other Scheduling Software) Work? 36		move
	4.3 Input to Scheduling Software Products 36		move
	<u>Chapter 2. The Pure Logic Network</u> (see old Ch 5.0) 49		2.0
	4.4 The Logic of the Logic Network 37		2.1
	4.5 <u>Arrow Pure Logic</u> Diagram 37		2.2
	4.6 <u>Technical Issues for Pure</u> Logic Diagrams 40		2.3
	4.7 Logical Loop 43		2.4
<u>Chapter 5. Network Construction</u> 49		2.0	
5.1 Form and Format in Original ADM 49		2.5	
5.2 Events 52		2.6	
5.3 Problems with Multi-Sheet Networks 63		2.7	
5.4 Form and Format for Networks in PERT 64		2.8	
5.5 Form and Format for Networks in PDM 65		2.9	
5.6 Form and Format for Networks in RDM 68		2.10	
4.8 Non-Construction Examples 46		2.11	
4.9 & 5.7 Summary (combine from 47 & 69)		2.12	
Chapter 6. The Durations of the Logic Network 71		3.0	
6.1 Definition of an Activity 72		3.1	
6.2 Setting a Minimum and Maximum Duration 73		3.2	
6.3 Estimating versus Scheduling Durations 75		3.3	
6.4. CPM versus PERT Durations 77		3.4	
6.5 Lags in PDM and RDM—Durations between Activities 78		3.5	
6.6 Summary 79		3.6	

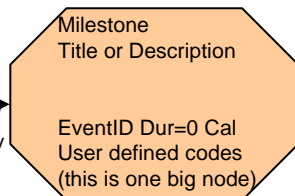
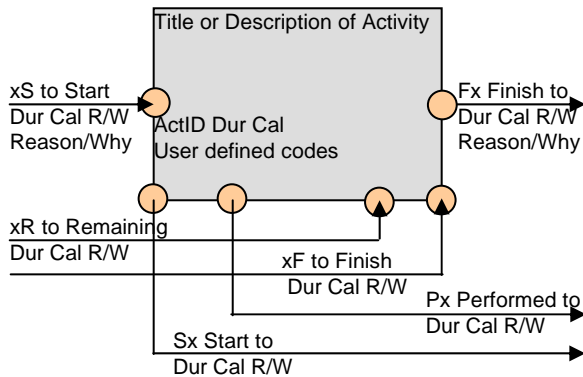
N
E
W

N
u
m
b
e
r
i
n
g

Demonstrate with John Doe Project

<INSERT OLD CHAPTER 20 HERE>

Chapter 20. Example Project: The John Doe Project	325	4.0
20.1 Acquiring Information to Initial Schedule	325	4.1
20.2 Choosing Appropriate Codes	330	4.2
20.3 Activity List	330	4.3
20.4 Could We Prepare a Bar Chart?	333	4.4
new Pure Logic Network		4.5
20.5 Network Logic in ADM	334	4.6
new Implementation of ADM in Various Software Products		4.7
20.6 Logic Changes Examples in ADM	342	4.8 note moved
20.7 Network Logic in PDM	344	4.9
new Implementation of PDM in Various Software Products		4.10
20.8 Network Logic in RDM	348	4.11
20.9 Populating the Codes	350	move
20.10 Checking the Output	350	move
20.11 Calendar Dates	359	move
20.12 Summary	361	4.??



Mathematics of CPM – Level 1

O
L
D

N
u
m
b
e
r
i
n
g

Chapter 7. Output of Calculations	81	5.0
7.1 Attributes of an Event	82	5.1
7.2 Attributes of an Activity	82	5.2
7.3 The Forward Pass—TE, ES, and EF	83	5.3
7.4 The Backward Pass—TL, LF, and LS	83	5.4
7.5 The Backward Pass—TF, FF, and IF	83	5.5
new The Backward Pass—TJ, JLF, JLS, and JTF		5.6
7.6 Calculating the Attributes of an Event or Activity	85	5.7
7.7 The Forward Pass—TE, ES, and EF	85	5.8
7.8 The Backward Pass—TL, LF, and LS	86	5.9
new The Backward Pass—TJ, JLF, and JLS		5.10
7.9 The Backward Pass—TF, FF, JTF , and IF	87	5.11
7.10 Summary	88	5.12
Chapter 8. Cranking the Engine	89	6.0
8.1 Manual and Computer Solutions for PERT and ADM—The Matrix Method	89	6.1
8.2 Manual and Computer Solution for PERT and ADM—The Intuitive Method	96	6.2
8.3 Activity Start and Finish Times	101	6.3
8.4 Critical Activities	103	6.4
8.5 Total Float	104	6.5
8.6 Free Float	107	6.6
new Just-in-Time Total Float		6.7
8.7 Independent Float	110	6.8
8.8 Time Scale Network	111	6.9
8.9 Computation Time	112	6.10
8.10 Writing Your Own CPM Software	113	6.11
8.11 Manual and Computer Solution for PDM with Durations between Activities	115	6.12
new Manual and Computer Solution for RDM with Durations between Activities		6.13
8.12 Summary	118	6.14

N
E
W

N
u
m
b
e
r
i
n
g

Time to combine Ch 9-10-11

Chapter 9. Adding Complexity 119

- 9.1 Enhancements to the Basic System 119
- 9.2 Original versus Remaining Durations 120
- 9.3 Percent Complete 120
- 9.4 Defined Subtasks and Check-Off Updating 121
- 9.5 Calendar versus Work Period Conventions 123
- 9.6 Multiple Calendars 124
- 9.7 Multiple Starting and Ending Activities 127
- 9.8 Artificial Constraints to Dates 129
- 9.9 Artificial Constraints to Algorithms 132
- 9.10 Negative Float 132
- 9.11 Definition of Criticality 133
- 9.12 Continuous versus Interruptible Performance 138
- 9.13 Actual Start and Finish Dates 138
- 9.14 Retained Logic versus Progress Overrides 139
- 9.15 Events and Milestones 139
- 9.16 Hammocks and Summary Network Logic 141
- 9.17 Summary Activity Bars 142
- 9.18 User-Defined Code Fields 145
- 9.19 Adding Resources to Activities 145
- 9.20 Adding Costs and Cost Codes to Activities 146
- 9.21 Resource Driven Scheduling 148
- 9.22 Master Schedules Local versus System-Wide Updating 149
- 9.23 Activity Types 151
- 9.24 Hierarchical Codes 153
- 9.25 Summary 155

Chapter 10. PDM and Precedence Networks 157

- 10.1 Precedence Logic 158
- 10.2 Work Package Calculations 162
- 10.3 Computer Calculation 163
- 10.4 Project Example 166
- 10.5 Summary 169

Chapter 11. Respecting the Power of PDM 171

- 11.1 Durations between Activities: Percent Lead/Lag Relationships
- 11.2 Defining Overlapping Activities: Durations between Activities
- 11.3 Negative Durations between Activities 177
- 11.4 Remaining Durations between Activities 178
- 11.5 Impact of Percent Complete upon Durations between Activities
- 11.6 PDM and Hammocks 179
- 11.7 Continuous versus Interruptible Progress 183
- 11.8 Undefined Subtasks and Relationships to Other Activities
- 11.9 Multiple Calendars 185
- 11.10 Retained Logic versus Progress Override 186
- 11.11 Total Float Calculation 187
- 11.12 Erroneous Loop Errors 188
- 11.13 Summary 189

Do we want Ch 14?

- Chapter 14. Overview of Prevalent Software Products 227
 - 14.1 Overview of Primavera Project Planner P3 228
 - 14.2 Overview of SureTrak Project Planner 229
 - 14.3 Overview of Primavera 231
 - 14.4 Detailed Instruction for P6 235
 - 14.5 P6 Web Browser Interface 241
 - 14.6 P6 Reflection Change Maintenance Feature 242
 - 14.7 P6 Multiple Float Paths 247
 - 14.8 P6 Enterprise Functionality and Administration 250
 - 14.9 Overview of Primavera Contractor and P6 Professional 251
 - 14.10 Overview of Primavera Pertmaster aka Oracle Primavera Risk Analysis 252
 - 14.11 Overview of Microsoft Project Professional 2007 256
 - 14.12 Overview of Deltek Open Plan Enterprise Project Management Software 267
 - 14.13 Summary of Overviews 272

Teaching P&S as a Video Game

- run [Synchro simulation](#)

Chapter 28. Engineer's Review of the Submitted Initial CPM 517

- 28.1 Legal Aspects of a Review 519
- 28.2 Reviewing the Plan 520
- 28.3 Technical Review 521
- 28.4 Reschedule and Review the Diagnostic Report 521
- 28.5 But Is the Logic Realistic? The Smell Test 524
- 28.6 Project Calendar or Calendars 525
- new** Metrics – Law or Mere Guidelines
- new** DCMA Metrics
- new** GAO Metrics
- new** Claims Digger Metrics
- new** Schedule Analyzer Metrics
- new** Deltek Acumen Fuse Metrics
- new** Steelray Metrics
- 28.7 Summary 525

Chapter 29. Updating the Schedule 527

- 29.1 Why Update the Schedule? 528
- 29.2 Acquiring the Data for an Update 528
- 29.3 Distinguishing Updates from Revisions 531
- 29.4 Purpose of an Update 531
- 29.5 The Purpose of a Revision 531
- 29.6 Who Should Collect Data for an Update? 532
- 29.7 Who Should Prepare Data for a Revision? 532
- 29.8 Information Required for Schedule Control: AS, RD, AF 532
- 29.9 Determination of Actual Start and Actual Finish Dates 533
- 29.10 Determination of Remaining Duration of Activities: Repeat the Steps of the Master 533
- 29.11 Expected Completion and Renewing Promises 534
- 29.12 Automatic Updates 534
- 29.13 The Forgotten Step: Determination of Remaining Duration between Activities 535
- 29.14 Save and Rename: Naming Strategies 538
- 29.15 Reports and Views to Assist Acquiring Data for an Update 539
- 29.16 Electronic Tools to Assist Acquiring Data for an Update 540
- 29.17 Choosing the Correct Algorithm for Updates 540
- 29.18 Scheduling the Update: Interpreting the Results 541
- 29.19 Technical Review: The Primavera Diagnostic Report 541
- 29.20 What to Look for When Reviewing the Update 542
- 29.21 Tailoring Update Output to the Chosen Audiences 543
- 29.22 The Narrative Report for Each Audience 545
- 29.23 Summary 546

22.0

Discuss the Initial Review and Metrics

23.0

Discuss Updates and Revisions

Claims - with input from 29RP03

Chapter 35. CPM in Claims and Litigation 597

35.1 Introduction 597

3.3 Early Legal Recognition 26

35.2 Evidentiary Use of CPM 599

combine but where?

move to (old 36) 27

Chapter 36. Delay Analysis 607

36.1 Delay versus Disruption 607

36.2 Responsibility / Types / Force Majeure 608

36.3 As-Planned Logic Network 610

nb **Validation** – see RP29

36.4 As-Should-Have-Been CPM Network 612

36.5 As-Planned Schedule 613

36.6 As-Built Schedule 614

nb re **contemporaneous updates** – why not if available?

nb **rectified as-built** = AS(succ) after AF(pred); OOS must be explained or split activities

36.7 As-Built Logic Network 615

36.8 Causative Factors 616

36.9 As-Impacted Logic Network 618

36.10 As-Impacted Schedule 618

36.11 Time Impact Evaluations 619

36.12 Zeroing to a Collapsed As-Impacted Logic Network 620

36.13 Zeroing Out to an As-Should-Have-Been CPM 621

36.14 Limitations of the TIE Methodology 622

36.15 TIE Example of John Doe Project 623

36.16 Windows Analysis 629

nb more on this – note contemporaneous update v rectified As-Built v re-created to date of Window

36.17 Zeroing Out within the Windows Analysis 631

36.18 Windows Example of John Doe Project 631

36.19 Summary 632

27.0

Claims - with input from 29RP03

Chapter 37. Disruption Analyses		28.0
37.1 Traditional Methodologies		633
add Measured Mile ... etc.		
37.2 CPM Out-of-Sequence Methodology		634
37.3 Adoption by the Industry		636
37.4 Summary		637
Chapter 38. Other Claim Methods	redo reqd	29.0
38.1 Frye versus Daubert		640
38.2 AACEi RP-29	redo reqd	642
38.3 Comparison of 3 Methods for John Doe Project		650
38.4 Evolve or Die		653
36.5 The 50 Ways		654
38.6 Summary of Other Delay Claim Methodologies		655
Chapter 39. Conclusion		30.0
Appendix A. Sample CPM Specification as a Guideline for Preparing Your Own Specification		659
Appendix B. Unified Facilities Guide Specification		675

Guideline Specification

Appendix **A** Sample CPM Specification as a **Guideline for Preparing Your Own Specification**

SECTION **01310** 013200
CPM SCHEDULES AND REPORTS

PART 1 GENERAL

1.1 RELATED DOCUMENTS

1.1.1 Drawings and General Provisions of Contract, including General and Supplementary Conditions and other Division-1 Specification Sections, apply to this Section.

1.1.2 This Section is cited in other Division-1 Specification Sections including but not limited to:

003113 PRELIMINARY SCHEDULE
012600 CONTRACT MODIFICATION PROCEDURES
012900 PAYMENT PROCEDURES
013100 PROJECT MANAGEMENT AND COORDINATION
013300 SUBMITTAL PROCEDURES

Commentary: Throughout this sample specification will be references to move subsections to other Sections. The title and purpose of this Section is to prepare and submit a report or "shop drawing" and not to specify actions to be taken. Thus various subsections in previous editions (and many other published specifications) which proscribe actions should be moved to those Sections as noted above.

1.2 SUMMARY

1.2.1 General

1.2.1.1 This Section specifies administrative and procedural requirements for preparation and reporting of Contractor's preferred sequence of construction of the Work and other possible sequences of construction of the Work, for monitoring and reporting of actual performance of the Work, for incorporation of changes and unexpected events for determination of possible impact to the timely completion of the Work and for determination of means and method necessary for time completion of performance of the Work.

Beyond the Printed Page

- We have a website:
<http://www.cpminconstructionmanagement.com/>
- Deltek Open Plan to now be as a download
Full licensed copy – no maintenance or phone support
- Links to other software demos and trial copies
- Our exclusive PDFs of all illustrations
- Legacy chapters – P3 – tutorials – reference matl's
- New product reviews – tutorials – reference matl's

Questions?



- **Fredric L. Plotnick, Ph.D., Esq., P.E.**
 - <http://www.cpmconstructionmanagement.com/>
 - fplotnick@fplotnick.com
 - 215-885-3733